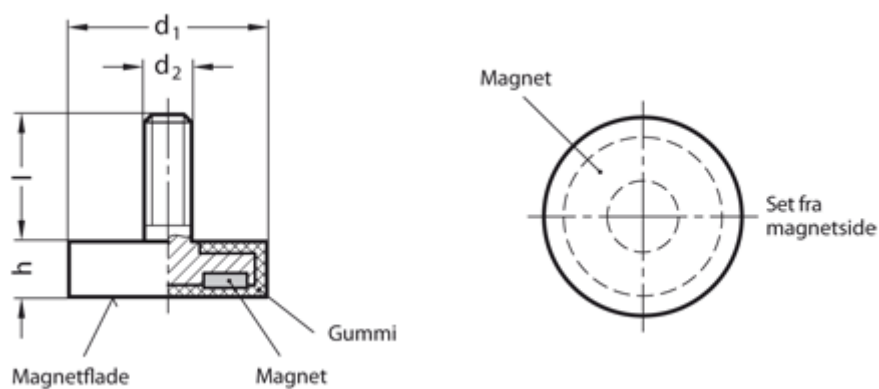


Article number: 201229022

Description: E+G Magnet - female thread GN 51.3-ND-22-M4-SW  
ND Neodym, iron, boron, 80°C, 50N

## Measures



d1 = 22

d2 = M4

h = 6

Holding force N = 50

l = 6.5

Material = ND Neodym, jern, bor - 80° C